



VLW60T Display and configuration unit

Display and configuration for modbus level transmitters

4.3 “touch screen display

Up to 3 simultaneous level measurements

Graphical display of the levels

Display indication of the relay status on board
METER, KTU, RPL81 transmitter

VLW90M, a single unit suitable for different applications. Level measurements, difference between levels, open channel flow (hydraulic jump) and pumps control. Different measurement functions directly settable via the keyboard. VLW90M can be connected to ultrasonic sensors and/or to 4÷20mA level transmitters. VLW90M has been developed for the connection to 1 or 2 MODBUS sensors, but it can support up to 8 PTU, METER, RPL81 or KTU units if externally powered. A remarkable note is the data logger on removable pen-drive, which enables the total traceability of the measurements. It is particularly suitable for the Analytical of the flow rate timing in open channel applications.

Technical Feature

Display

4.3 “TFT LCD color resistive touch, resolution 480 x 272, LED backlighting (Life Time > 30000h)

Supply

“A” version 24Vdc ± 20%

“B” version 85-265Vac (50/60Hz)

Consumption

“A” version Max 500mA , 12W @ 24Vdc

“B” version Max 15W

Dimensions l x h x p (mm)

“A” version 128x102x32

“B” version 183.5x250x126

Mounting dimensions (mm)

119x93

Mounting

Panel “A” version

Wall-mounted “B” version, on a pole or on a DIN rail, with ABS case and transparent cover

IP rating

“A” version IP65 / NEMA4

“B” IP66 version

Storage temperature

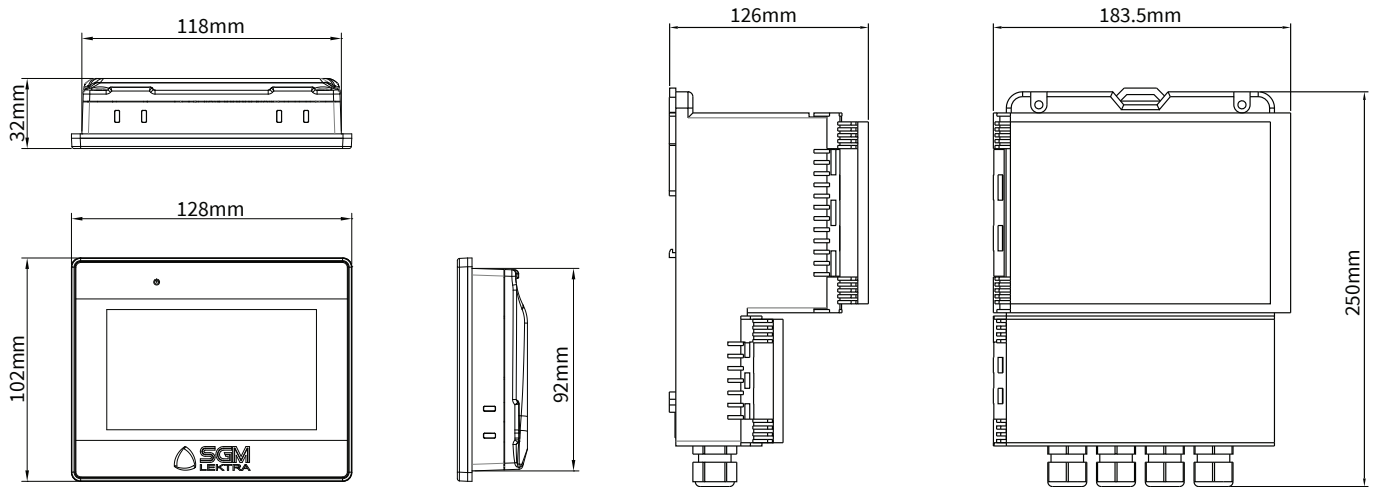
-20 ° ÷ 60 ° C

Working temperature

0 ÷ 50 ° C

Relative humidity

10 to 90% (without condensation)



VLW60T

Display and configuration unit

Suitable for PTU5x., KTU5, METER, RPL75 and RPL81
 Direct MODBUS RTU connection with max. 3 sensors
 4.3" touch screen display
 Graphic level display of liquids or solids

Version	
A	Front panel mounting IP65 (terminal IP40)
B	Wall or DIN rail mounting - IP66 enclosure
C	Front panel mounting IP65 (terminal IP40) + external module with 4 relays output
D	Wall or DIN rail mounting - IP66 enclosure + external module with 4 relays output
Z	Special

Power supply	
1	24Vdc
2	85+230Vac, 50/60 Hz (only for version B)
9	Special