



**RPL75**  
Radar level transmitter

Level measurement without contact for liquids

Range 20m

Radar pulses 80Ghz

Visualization and configuration on a removable display module

Output 4 ÷ 20mA; 2 configurable relays

Remote control via Smartphone

Compact unit with removable programming display, a module for level measurement of liquids. Available in 4-wire version, with 2 programmable relays on different intervention thresholds and Modbus RTU serial communication. Connection to the 2 "G threaded process made of PP (moplen) for compatibility with chemically aggressive environments. The measuring range is between 0.5 and 20 meters and is guaranteed only in the case of conductive liquids. The polycarbonate housing is equipped with a transparent cover for an immediate reading of the values.

**Technical Feature**

**Frequency range**

80Ghz

**Housing / sensor material**

PC / PP

**Mechanical installation**

Threaded 2 "G; flange in PP optional

**IP rating**

IP67

**Electrical connection**

Terminals

**Working temperature**

-20° ÷ +60°C

**Process pressure**

max 3 bar

**Supply**

20÷30Vdc; 12Vdc

**Consumption**

max 2W (4 wires)

**Outputs**

4 to 20mA

2 relays 3A 230Vac n.a. resistive

**Digital communication**

MODBUS RTU

**Maximum measuring range**

20 meters (on conductive liquids)

**Blind distance**

min 0,05m (suggested 0,1m)

**Accuracy**

measurement deviation ± 5mm  
(if distance <250mm ± 10mm)

**Resolution of digital measurement**

2mm.

**Calibration**

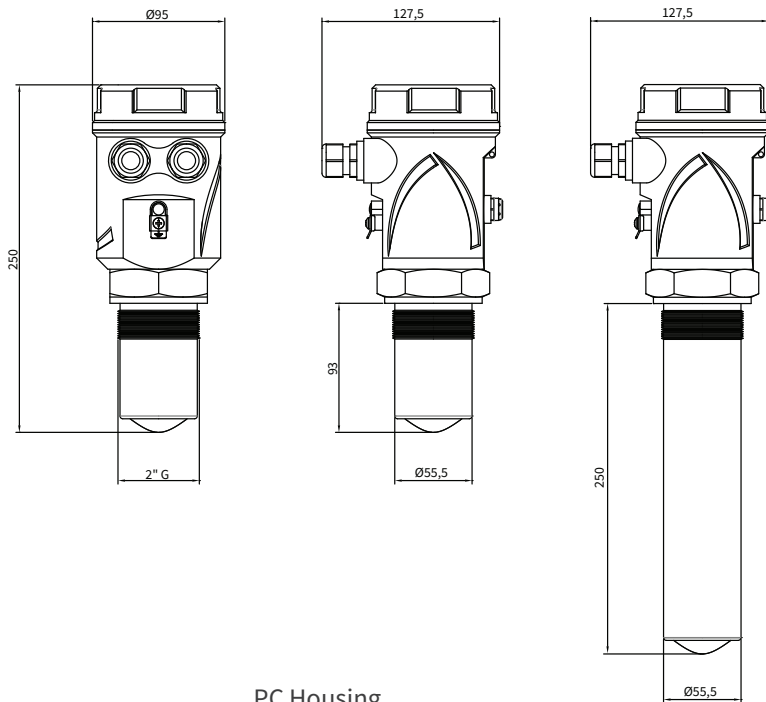
through VL601 module; Modbus

**Thermal stabilization**

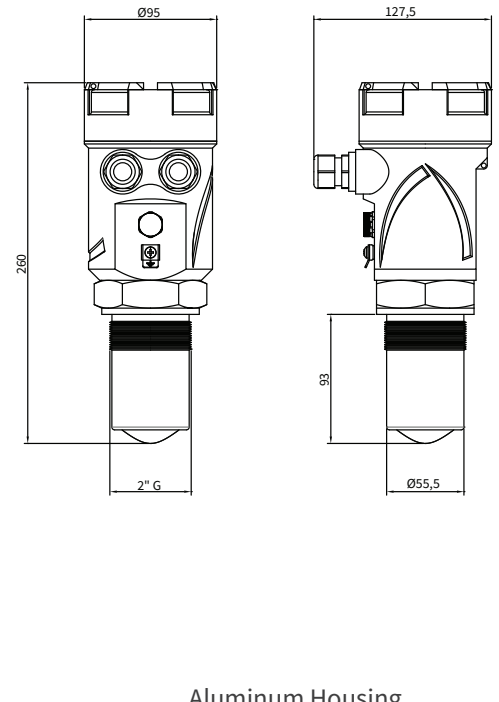
1 minute typical

**Visualization**

VL601 extractable programming module (opt.) With 4 keys and matrix LCD



PC Housing



Aluminum Housing

**RPL75**

**Radar level transmitter**

Micro-waves FMCW - For liquids  
 Max. distance 20m  
 4\*20mA output + MODBUS RS485  
 2 relays for alarms or pump control  
 G 2" / PP threaded connection + fixing bolt  
 Setting by keyboard/display removable module (opt.)  
 via MODBUS or via BLUETOOTH (opt.) with Android APP  
 IP67 housing with osmotic filter  
 Working temperature: -20° ÷ +60°C

Version	
8	4-wire, range 20m, 2 relays, MODBUS
9	Special
Housing / Sensor materials	
F	PC with transparent cap / PP
L	PC with blind cap / PP
S	Aluminum with transparent cap / PP
Z	Special
Power supply	
4	20÷30Vdc
5	12Vdc
9	Special
Accessories	
A	None
B	BLUETOOTH
C	DN80 PN6 UNI 1092-1/ PP flange (600J001T)
D	Display/programming module VL601 (VL601SGM)
P	PP sensor extension for a total insertion of 250 mm
S	MODBUS communication software (010F105A)
Z	Special