



CLT4 Capacitive level transmitter

Contact level measurement
Threaded, flanged and sanitary connections
Suitable for measuring of liquids and powders
IP67 protection
PTFE or PVC insulation

Capacitive instrument, rod probe suitable for general or chemical-pharmaceutical applications for level measurement of conductive, non-conductive liquids or granules. Installation on the top of metal tanks..

Technical Feature

Housing material

aluminum / polycarbonate

Versions

compact; remote; high temperature

IP rating

IP67

Electrical connection

terminals

Working temperature

-30° ÷ +150°C PTFE ; -20° ÷ +70°C PVC

Electrodes

rigid insulated PTFE rod; rigid PVC insulated rod

Power supply

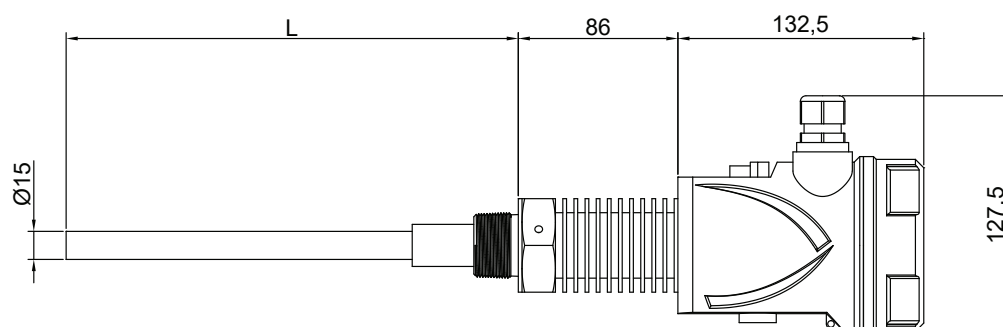
24Vdc; 24/115/230Vac

Analog output

4÷20mA

Measure range

max 3 mt rod





CLT4 Capacitive rod probe for liquids and dust
 Suitable for level measurement
 Installation in the top of metallic tanks; 3m max.

Version	
A	Without insert-preamplifier
B	Compact
D	Spacer-cooling-fins compact in carbon-steel
F	Spacer-cooling-fins compact in stainless-steel
H	Separate with M8 female connection, 2m coax cable with double shielding max. 120°C (cod 525A003E). Electrode with DIN B aluminum housing - IP66 (only with ½" connection)
L	Separate with M8 female connection, 2m coax cable with double shielding max. 120°C (cod 525A003E). Electrode with DIN A aluminum housing - IP66
R	Separate with Al fixing base +2m coax cable with double shielding max. 120°C (cod 525A003E). Electrode with DIN B aluminum housing - IP66 (only with ½" connection)
S	Separate with Al fixing base + 2m coax cable with double shielding max. 120°C (cod 525A003E). Electrode with DIN A aluminum housing - IP66
Z	Special
Electronic preamplifier	
00	None
22	TC22, 4+20mA, calibration by 2 push-buttons or via RS485, 24Vdc
23	TC23, 4+20mA, calibration by 2 push-buttons or via RS485, 24Vac
24	TC24, 4+20mA, calibration by 2 push-buttons or via RS485, 115Vac
25	TC25, 4+20mA, calibration by 2 push-buttons or via RS485, 230Vac
26	TC26, 4+20mA, calibration by 2 push-buttons or via RS485, 1 relay, 24Vdc
27	TC27, 4+20mA, calibration by 2 push-buttons or via RS485, 1 relay, 24Vac
28	TC28, 4+20mA, calibration by 2 push-buttons or via RS485, 1 relay, 115Vac
29	TC29, 4+20mA, calibration by 2 push-buttons or via RS485, 1 relay, 230Vac
30	TC30, 4+20mA 2-wire, 2 push-buttons calibration, 10+30Vdc
99	Special
Housing for electronic preamplifier	
E	IP 66 DIN B aluminum housing (for electrode only)
F	PC with transparent cap and osmotic filter - IP67
G	IP67 aluminum varnished with osmotic filter
L	PC with blind cap and osmotic filter - IP67
Z	Special
Process connection	
01	G1" / Carbon-steel - not for DIN B housing
02	G1" / Stainless-steel SS316 - not for DIN B housing
03	1" NPT / Carbon-steel - not for DIN B housing
04	1" NPT / SS316 - not for DIN B housing
11	G1½" / Carbon-steel - not for DIN B housing
12	G1½" / SS316 - not for DIN B housing
19	G1½" / PTFE - not for DIN B housing
20	Sanitary DN25 DIN 11851 / SS304L - not for DIN B housing
21	Sanitary DN40 DIN 11851 / SS304L - not for DIN B housing
22	Sanitary DN50 DIN 11851 / SS304L - not for DIN B housing
40	Threaded flange DN40 PN 6 UNI 1092-1 / PVC
41	Threaded flange DN40 PN 6 UNI 1092-1 / PTFE
42	Threaded flange DN40 PN16 / carbon steel
45	Threaded flange DN50 PN6 UNI 1092-1 / PVC
46	Threaded flange DN80 PN6 UNI 1092-1 / PVC
47	Threaded flange DN100 PN6 UNI 1092-1 / PVC
50	Threaded flange DN40 PN16 / SS304
51	Threaded flange DN40 PN16 / SS316
52	Threaded flange DN50 PN16 DIN 2527 form B (without gasket) / SS316
53	Threaded flange DN80 PN16 DIN 2527 form B (without gasket) / SS316
54	Threaded flange DN100 PN16 DIN 2527 form B (without gasket) / SS316
60	Threaded flange 2" ANSI RF # 150 / SS316
61	Threaded flange 3" ANSI RF # 150 / SS316
62	Threaded flange 4" ANSI RF # 150 / SS316
71	CLAMP 1" / SS316 - not for DIN B housing
73	CLAMP 1½" / SS316 - not for DIN B housing
75	CLAMP 2" / SS316 - not for DIN B housing
83	G½" / Carbon-steel - not for electrodes type Q/R/S
84	G½" / SS316 - not for electrodes type Q/R/S
99	Special
Electrode type and insulation	
B	PTFE partially insulated SS316 rod
D	PVC totally insulated SS316 rod
H	PTFE totally insulated SS316 rod (only for dust/granules)
L	PTFE 8/12 totally insulated SS316 rod (for liquids - max length 2000mm)
Q	PTFE partially insulated SS316 rod + SS316 grounding reference (for liquids)
R	PVC insulated rod + SS316 grounding reference (for liquids) just with non sensitive part cod A
S	PTFE 8/12 insulated rod + SS316 grounding reference (for liquids - max length 2000mm) just with non sensitive part cod A
Z	Special
L= Electrode length, price each 100mm	
40	PTFE partially insulated SS316 rod
42	PVC totally insulated SS316 rod
46	PTFE totally insulated SS316 rod (only for dust/granules)
48	PTFE 8/12 totally insulated SS316 rod (for liquids - max length 2000mm)
53	PTFE partially insulated SS316 rod + SS316 grounding reference (for liquids)
54	PVC insulated rod + SS316 grounding reference (for liquids)
55	PTFE 8/12 insulated rod + SS316 grounding reference (for liquids - max length 2000mm)
99	Special
L1 = non sensitive part (rod), material and price each 10cm	
A	None
B	Carbon-steel
C	SS316
Z	Special