



CLT7 Capacitive level transmitter

PE coated rope

For measurements of powders and granules

Maximum probe length 30m

Capacitive instrument, rope probe for continuous level measuring. Suitable for general use or level measurement of granules and powders. Installation on the top of silos.

Technical Feature

Housing material

polycarbonate

Versions

compact; remote

IP rating

IP67

Electrical connection

terminals

Electrodes

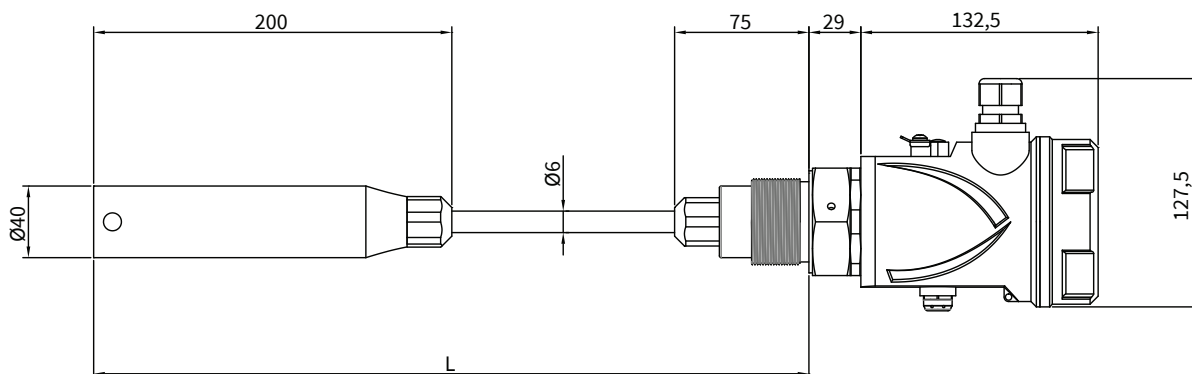
insulated PE rope

Power supply

24Vdc; 24/115/230Vac

Analog output

4÷20mA





CLT7 Capacitive rope probe for granulates and powders
 Continuous capacitive level measurement
 Installation on the top of metallic tanks

Version	
A	Without insert-preamplifier
B	Compact version
Z	Special

Electronic preamplifier	
00	None
22	TC22, 4+20mA, calibration by 2 push-buttons or via RS485, 24Vdc
23	TC23, 4+20mA, calibration by 2 push-buttons or via RS485, 24Vac
24	TC24, 4+20mA, calibration by 2 push-buttons or via RS485, 115Vac
25	TC25, 4+20mA, calibration by 2 push-buttons or via RS485, 230Vac
26	TC26, 4+20mA, calibration by 2 push-buttons or via RS485, 1relay, 24Vdc
27	TC27, 4+20mA, calibration by 2 push-buttons or via RS485, 1relay, 24Vac
28	TC28, 4+20mA, calibration by 2 push-buttons or via RS485, 1relay, 115Vac
29	TC29, 4+20mA, calibration by 2 push-buttons or via RS485, 1relay, 230Vac
30	TC30, 4+20mA, 2wires, 2 push buttons for calibration, 10+30Vdc
99	Special

Housing for electronic preamplifier	
F	PC with transparent cap and osmotic filter, IP67
G	IP67 aluminum varnished with osmotic filter
L	PC with blind cap and osmotic filter, IP67
Z	Special

Process connection	
11	G1"½ / Carbon-steel
12	G1"½ / SS316
42	Threaded flange DN40 PN16 / Carbon-steel
50	Threaded flange DN40 PN16 / SS304
51	Threaded flange DN40 PN16 / SS316
52	Threaded flange DN50 PN16 DIN 2527 form B (without gasket) / SS316
53	Threaded flange DN80 PN16 DIN 2527 form B (without gasket) / SS316
54	Threaded flange DN100 PN16 DIN 2527 form B (without gasket) / SS316
60	Threaded flange 2" ANSI RF # 150 / SS316
61	Threaded flange 3" ANSI RF # 150 / SS316
62	Threaded flange 4" ANSI RF # 150 / SS316
99	Special

Electrode type and insulation	
L	Ø8mm carbon steel, counterweight in carbon steel
M	Ø8mm carbon steel, counterweight in SS316
N	Ø8mm carbon steel PE coated, counterweight in carbon steel
P	Ø8mm carbon steel PE coated, counterweight in SS316
Z	Special

L= Electrode length, price each meter	
73	Ø8mm carbon steel
74	Ø8mm carbon steel PE coated
99	Special

L1 = non sensitive part (rod), material and price each 10cm	
A	Standard (75mm)
B	Carbon-steel
Z	Special