



## CLS2 Capacitive level switch

Suitable for liquids, powders and granules

Protection IP67

ATEX certified versions

PTFE or PVC insulation

Standard capacitive units with rod or rope extension, for general industrial applications. Suitable for ON-OFF level control of granules, powders and liquids, IP66 ÷ 67 protection.

### Technical Feature

**Version**

compact; with heat sink

**Display**

Plug-in display/keyboard 4 buttons  
matrix LCD

**Process connection**

threaded; flanged

**IP rating**

IP67

**Electronics**

TL41R; TL41R ATEX

**Electrodes**

rod partially insulated in PTFE or PVC

**Standard electrode length**

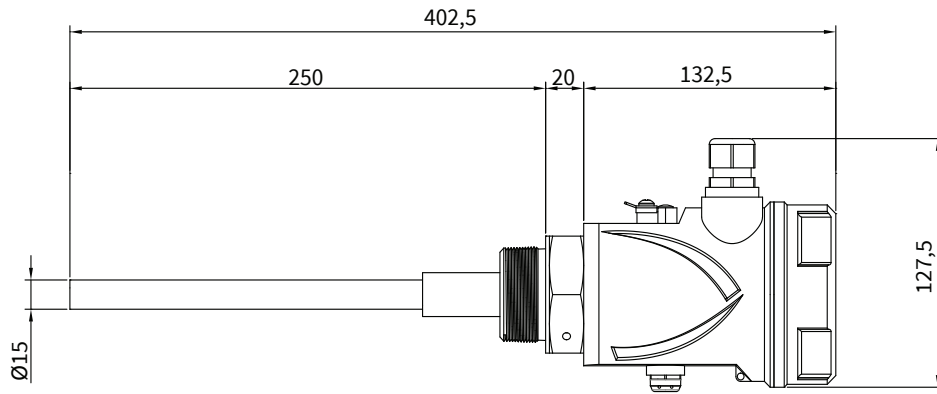
250mm

**Extensions**

with rigid rod Ø10mm AISI 316; rope  
Ø6mm and counterweight in carbon  
steel

**Atex**

II 1/2D Ex ia/tb IIIC T150°C Da/Db IP66  
; Tamb: -20°C ÷ 60°C



**CLS2** Standard rod level switch  
 ON/OFF capacitive level control  
 Top and lateral side metallic tank-installation  
 Standard length: 250mm  
 Setting by keyboard/display removable module VL601SGM (opt.)

Version	
<b>A</b>	Without preamplifier insert
<b>B</b>	Compact
<b>D</b>	Compact with carbon-steel dissipator between head and connection
<b>E</b>	Compact, ATEX II 1/2D Ex ia/tb IIIC T150°C Da/Db IP67 - Tamb: -20°C + 60°C only with " G " housing
<b>F</b>	Compact with SS316 dissipator
<b>Z</b>	Special
Electronic preamplifier	
<b>00</b>	None
<b>43</b>	TL41R ON-OFF, supply 85+230Vac 50Hz, Relay output SPDT - without display
<b>44</b>	TL41R ON-OFF, supply 85+230Vac 50Hz, Relay output SPDT - with removable display
<b>45</b>	TL41R ON-OFF, supply 24Vdc/Vac - 36 Vac 50Hz, Relay output SPDT - without display
<b>46</b>	TL41R ON-OFF, supply 24Vdc/Vac - 36 Vac 50Hz, Relay output SPDT - with removable display
<b>99</b>	Special
Housing	
<b>F</b>	PC with transparent cap and osmotic filter, IP67
<b>G</b>	IP67 aluminum varnished with osmotic filter (necessary for ATEX version)
<b>L</b>	PC with blind cap and osmotic filter, IP67
<b>Z</b>	Special
Process connection	
<b>01</b>	G1" / Carbon-steel
<b>02</b>	G1" / SS316
<b>11</b>	G1"½ / Carbon steel
<b>12</b>	G1"½ / SS316
<b>99</b>	Special
Electrode type and insulation	
<b>B</b>	Partially PVC insulated Ø15mm Carbon-steel rod
<b>C</b>	Ø15mm Carbon-steel rod with extended PVC insulation
<b>D</b>	Partially PTFE insulated Ø15mm Carbon-steel rod
<b>H</b>	Partially PVC insulated Ø15mm SS316 rod
<b>I</b>	Ø15mm SS316 rod with extended PVC insulation
<b>L</b>	Partially PTFE insulated Ø15mm SS316 rod
<b>Z</b>	Special
M10x1,5 female thread for extension	
<b>0</b>	None
<b>1</b>	M10x1,5 female thread on top
Non sensitive part	
<b>A</b>	None
<b>B</b>	100mm, same material of process connection - only with connection code 11
<b>Z</b>	Special
Extension type	
<b>000</b>	None
<b>400</b>	Ø10mm SS316 rod
<b>700</b>	Ø6mm carbon-steel rope + carbon-steel counterweight - only with connection code 11 Warning! For length over 3m, price on request
<b>999</b>	Special
Extension length	
<b>A</b>	Without
<b>B</b>	Rigid rod Ø10mm, price each 10cm (max 3m)
<b>C</b>	Carbon-steel rope Ø6mm, price each m (max 10m)
<b>Z</b>	Special