



CLS7 Capacitive level switch

Contact level control for top mounting

Wire rope carbon steel / PE

Suitable for control of granules and powders

IP66 ÷ 67 protection

Max length 30 m

ATEX certified versions

Capacitive instrument with wired rope probe for heavy duty, suitable for level controls in granules and dust, IP66 ÷ 67 protection, installation on the top of metallic vessels.

Technical Feature

Versions

Compact; remote

Process connection material

AVP; SS316

IP rating

IP66 / 67

Electronic models

TL41R; TL41R ATEX; TC73R

Display

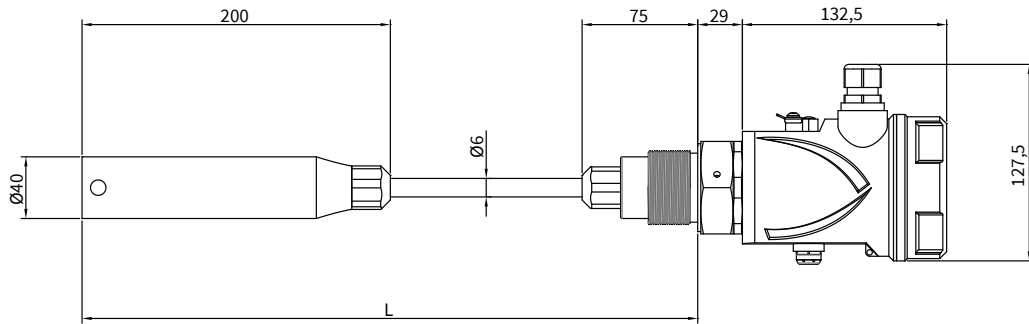
Plug-in display/keyboard 4 buttons
matrix LCD

Electrodes

Rope Ø8mm bare or completely insulated in PE

Atex

II 1/2D Ex ia/tb IIIC T150°C Da/Db IP66
; Tamb: -20°C ÷ 60°C



CLS7 Rope level switch for granulates
 ON/OFF capacitive level control
 Suitable for bulk solid and granulates
 Top side metallic tank-installation
 Setting by keyboard/display removable module (TL41R) opt.
 or by pushing buttons (TC7.3R)

Version	
A	Without electronic preamplifier
B	Compact
E	Compact, ATEX II 1/2D Ex ia/tb IIIC T150°C Da/Db IP67 - Tamb: -20°C + 60°C (only with TL41R insert and " G" housing)
Z	Special
Electronic preamplifier	
00	None
43	TL41R ON-OFF, supply 85+230Vac 50Hz, Relay output SPDT - without display
44	TL41R ON-OFF, supply 85+230Vac 50Hz, Relay output SPDT - with removable display
45	TL41R ON-OFF, supply 24Vdc/Vac - 36 Vac 50Hz, Relay output SPDT - without display
46	TL41R ON-OFF, supply 24Vdc/Vac - 36 Vac 50Hz, Relay output SPDT - with removable display
73	ON-OFF TC7.3R local calibration, 24Vdc, 3 relays out for 3 adjustable set-points
99	Special
Housing for electronic preamplifier	
B	IP66 loaded PC , white polycarbonate cap - only with TC7.3R insert
F	PC with transparent cap and osmotic filter, IP67 - only with TL41R insert
G	IP67 aluminum varnished with osmotic filter (necessary for ATEX version) - only with TL41R insert
L	PC with blind cap and osmotic filter, IP67 - only with TL41R insert
Z	Special
Process connection	
11	G1"½ / Carbon-steel
12	G1"½ / SS316
42	Threaded flange DN40 PN16 / Carbon-steel
50	Threaded flange DN40 PN16 / SS304
51	Threaded flange DN40 PN16 / SS316
52	Threaded flange DN50 PN16 DIN2527 form B (without gasket) / SS316
53	Threaded flange DN80 PN16 DIN2527 form B (without gasket) / SS316
54	Threaded flange DN100 PN16 DIN2527 form B (without gasket) / SS316
60	Threaded flange 2" ANSI RF #150 / SS316
61	Threaded flange 3" ANSI RF #150 / SS316
62	Threaded flange 4" ANSI RF #150 / SS316
99	Special
Electrode type and insulation	
L	Ø8mm carbon steel, counterweight in carbon steel
M	Ø8mm carbon steel, counterweight in SS316
N	Ø8mm carbon steel PE coated, counterweight in carbon steel
P	Ø8mm carbon steel PE coated, counterweight in SS316
Z	Special
L= Electrode length, price each meter	
73	Ø8mm carbon steel
74	Ø8mm carbon steel PE coated
99	Special
L1 = non sensitive part (rod), material and price each 10cm	
A	Standard (75mm)
B	Carbon-steel
Z	Special