



FLOW51 Compact flowmeter

Compact system suitable to be installed upstream from hydraulic modelers (weirs, venturi, palmer bowlus)

Excellent price-performance ratio

Istantaneous and totalized flow measurement

Measure range 0.3÷6m

MODBUS; Bluetooth communication protocol

Remote control via Smartphone

IP67|68

FLOW51 is a compact IP68 ultrasonic flow transmitter, suitable for the installation in flood-prone wells. The measurement is based on the principle of the raising of the water level before restriction, which is used to calculate the value of instantaneous flow in relation of the type of the existing flume. FLOW51 can be calibrated via MODBUS RTU; Bluetooth or VLW60T if used with SGM LEKTRA Venturi flumes, Palmer Bowlus, Parshall flumes, Khafagi Venturi flumes and all the main types of weirs. In case of non-standard flumes the unit can be calibrated by following the linearization table present on the manual or by using a customized flow formula..

Technical Feature

Housing material

PP

Mechanical installation

1" GAS M - PP flange DN100/125 opt.

Protection degree

IP67|68

Electrical connection

IP67|68 male connector with 5/10/15/20m linking cable

Working temperature

20 ÷ 60°C

Pressure

From 0,5 to 1,5 bar (absolute)

Power supply

20÷30Vdc/Vac

Power consumption

1.5W

Analog output

4÷20mA max 750ohm

Digital communication

MODBUS RTU

Range

0.3÷6m

In case of non perfectly reflecting surfaces, the maximum distance value will be reduced

Temperature compensation

digital in the working temperature

Accuracy

±0,2% (of the measured distance) not better than ±3mm

Resolution

1mm

Calibration

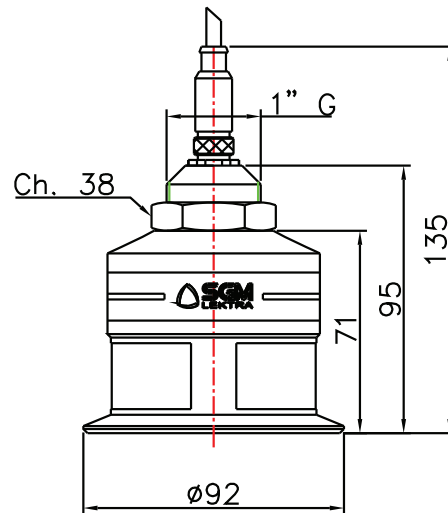
Via App; MODBUS

Warm-up

30 minutes

Display

LCD display on VLW60T module (opt.)



FLOW51

Ultrasonic open channel flow control unit

Compact - Suitable for upstream installation in weir, Venturi, Palmer Bowlius (standard and non-standard)
 4*20mA output with instantaneous flow transmission + MODBUS RTU
 Range: 0,3 ÷ 6m; IP67/68 proof - Housing in polypropylene (PP)
 Power supply 20÷30Vdc
 Calibration via BLUETOOTH Android APP
 Temperature range -20 ÷ +60°C

Version	
E	With SS316 male connector / IP67
L	With 10m integrated cable / IP68
Z	Special
Process connection / Sensor material	
0	G 1" / PP + nr. 1 1" BSP/ PP fixing bolt
1	DN100 PN6 UNI 1092-1 flange / PP
9	Special
Accessories	
A	None
F	MODBUS PC communication S/W (010F119A)
H	Extension L=250mm in PP + DN100 flange
L	Adjustable extension for PTU5x in PP + DN100 flange (Lmin= 85mm Lmax=690mm)
N	Junction box / IP68
T	IP67 female connector with 5m linking cable
U	IP67 female connector with 10m linking cable
V	IP67 female connector with 15m linking cable
W	IP67 female connector with 20m linking cable
Y	Cable for Junction box - price per meter
Z	Special