



RKMAG Electromagnetic flowmeter

Specific for installations with “0 diameters” near curves, fittings etc ...

Dn 50 ÷ 800 mm

Accuracy: ± 0.5%

Power supply 85÷265Vac; 12Vdc; 20÷30Vdc/Vac

Remote control via Smartphone

SGM LEKTRA presents a new type of electromagnetic flowmeter with plastic sensors: RKMAG. Because of its particular inner shape the mounting of the unit requires no straight pipe lengths before and after the meter. The converter is equipped with a large, bright, removable O-LED display and can mount a pen-drive USB data logger. The configurable outputs can be analogic, pulse and MODBUS RTU and alarm messages are managed by 2 configurable relays. RKMAG is suitable for the use with a wide range of conductive liquids, even chemically aggressive: the electrodes material can be selected according to the chemical properties of the fluid.

Technical Feature

Flow rate range

Bidirectional on fluids with speeds up to 10m / s

Range dimension / lining material

neoprene DN50 ÷ DN800

Sensor pipe material

SS321

Housing material

epoxy painted aluminium

Electrodes material

SS316L - Hastelloy C

Measure range

<1m³/h ÷ >9048m³/h

Accuracy

±0,5% standard; ±0,2% optional

Repeatability

±0,1%

Fluid conductivity

>5µS/cm.

Power supply

85÷265Vac; 12Vdc; 20÷30Vdc/Vac

Consumption

6W, max. 8W.

Communication protocol

Modbus; Bluetooth App Android (opt.)

Operating temperature Limits

Remote version

RUBBER -10 ÷ +80°C

Compact version

RUBBER -10 ÷ +80°C

Storage temperature: -40÷85°C

Data Logger

Internal data logger to USB pen drive

Output

4 ÷ 20mA; Frequency; Impulsive; 2 relays

Input signals

2 active analog inputs

1 digital input.

Reverse Flow

Allows measure and totalization of reverse flow.

Low Flow Cutoff

Adjustable. Below selected value, instantaneous flow and outputs are driven to the zero flow rate signal level.

Humidity Limits

0-100% RH to 150 °F (65 °C), not condensing.

Damping

Adjustable between 1 and 99 seconds.

Compact version IP rating

IP67

Remote version IP rating

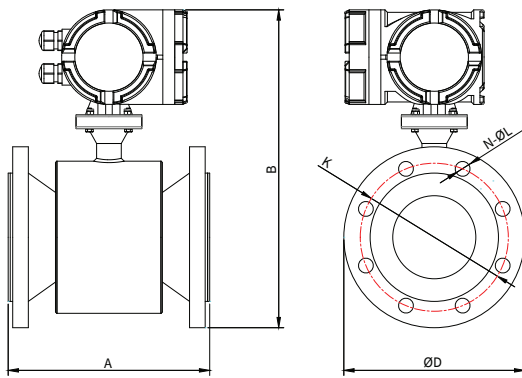
sensor IP67 / IP68 (by request) - converter IP67

Anti-condensation filter

Anti-condensation filter installed on converter



ELECTROMAGNETIC | FLOW MEASUREMENT



Rkmag

Electromagnetic flowmeter

Installation with zero diameters upstream/downstream.
For conductive fluids.
With sensor body and flanges in carbon steel.
Medium ambient temperature range: -20° + 60°C
Fluid temperature range: -10° + 80°C
IP67 electronic housing with anticondensation filter
2 alarm relays (min/max) - 3rd electrode for grounding

DN (mm)	A (mm)	B (mm)	ØD (mm)	ØK (mm)	N-ØL (mm)	Pressure
50	200	340	165	125	4-Ø18	1.6MPa
65	200	345	185	145	4-Ø18	1.6MPa
80	200	360	200	160	8-Ø18	1.6MPa
100	250	385	220	180	8-Ø18	1.6MPa
125	250	400	250	210	8-Ø18	1.6MPa
150	300	430	285	240	8-Ø22	1.6MPa
200	350	470	340	295	12-Ø22	1.6MPa
250	450	535	405	355	12-Ø26	1.6MPa
300	500	600	445	400	12-Ø22	1.0MPa
350	550	650	520	470	16-Ø35	1.0MPa
400	600	715	580	525	16-Ø38	1.0MPa
450	600	770	640	585	20-Ø42	1.0MPa
500	600	835	715	650	20-Ø46	1.0MPa
600	600	950	840	770	20-Ø52	1.0MPa
700	700	1030	895	840	24-Ø30	1.0MPa
800	800	1140	1015	950	24-Ø32	1.0MPa

Version	
B	Remote - acc. 0,2% - Data logger - n.2 4+20mA input- std cable length 5m(price upon request for each additional meter)
C	Remote - acc. 0,5% - Data logger - n.2 4+20mA input - std cable length 5m(price upon request for each additional meter)
L	Compact - acc. 0,2% - Data logger - n.2 4+20mA input
N	Compact - acc. 0,5% - Data logger - n.2 4+20mA input
R	Remote - acc. 0,2% - n.2 4+20mA input - std cable length 5m(price upon request for each additional meter)
S	Remote - acc. 0,5% - n.2 4+20mA input - std cable length 5m(price upon request for each additional meter)
T	Compact - acc. 0,2% - n.2 4+20mA input
V	Compact - acc. 0,5% - n.2 4+20mA input
Z	Special
DN flange / Max. pressure / Lining	
0050E1	DN50 / 1.6MPa / Rubber - range 1,5 ÷ 35m ³ /h
0065E1	DN65 / 1.6MPa / Rubber - range 2,4 ÷ 59m ³ /h
0080E1	DN80 / 1.6MPa / Rubber - range 3,7 ÷ 92m ³ /h
0100E1	DN100 / 1.6MPa / Rubber - range 6 ÷ 141m ³ /h
0125E1	DN125 / 1.6MPa / Rubber - range 9 ÷ 220m ³ /h
0150E1	DN150 / 1.6MPa / Rubber - range 13 ÷ 318m ³ /h
0200E1	DN200 / 1.6MPa / Rubber - range 23 ÷ 565m ³ /h
0250E1	DN250 / 1.6MPa / Rubber - range 35 ÷ 833m ³ /h
0300C1	DN300 / 1.0MPa / Rubber - range 51 ÷ 1272m ³ /h
0300E1	DN300 / 1.6MPa / Rubber - range 51 ÷ 1272m ³ /h
0350C1	DN350 / 1.0MPa / Rubber - range 70 ÷ 1731m ³ /h
0350E1	DN350 / 1.6MPa / Rubber - range 70 ÷ 1731m ³ /h
0400C1	DN400 / 1.0MPa / Rubber - range 90 ÷ 2262m ³ /h
0400E1	DN400 / 1.6MPa / Rubber - range 90 ÷ 2262m ³ /h
0450C1	DN450 / 1.0MPa / Rubber - range 114 ÷ 2863m ³ /h
0450E1	DN450 / 1.6MPa / Rubber - range 114 ÷ 2863m ³ /h
0500C1	DN500 / 1.0MPa / Rubber - range 141 ÷ 3534m ³ /h
0500E1	DN500 / 1.6MPa / Rubber - range 141 ÷ 3534m ³ /h
0600C1	DN600 / 1.0MPa / Rubber - range 203 ÷ 5089m ³ /h
0600E1	DN600 / 1.6MPa / Rubber - range 203 ÷ 5089m ³ /h
0700C1	DN700 / 1.0MPa / Rubber - range 277 ÷ 6927m ³ /h
0700E1	DN700 / 1.6MPa / Rubber - range 277 ÷ 6927m ³ /h
0800C1	DN800 / 1.0MPa / Rubber - range 362 ÷ 9048m ³ /h
0800E1	DN800 / 1.6MPa / Rubber - range 362 ÷ 9048m ³ /h
Process connection	
B	DIN (UNI 1092-1) flanges
D	ANSI flanges (price on request)
Z	Special
Electrodes material	
1	SS316L Stainless steel
3	Hastelloy C276
Power supply	
A	85+265Vac
C	20+30 Vac/Vdc
D	12Vdc
Accessories	
0	None
1	316SS or Hastelloy C grounding rings for plastic pipe installation (prices on MA page)
Output	
B	4+20mA with galvanic separation + pulse + MODBUS RTU + BLUETOOTH
E	4+20mA with galvanic separation + pulse + MODBUS RTU
Pipe protection degree	
1	IP67
2	IP68 - only for remote version